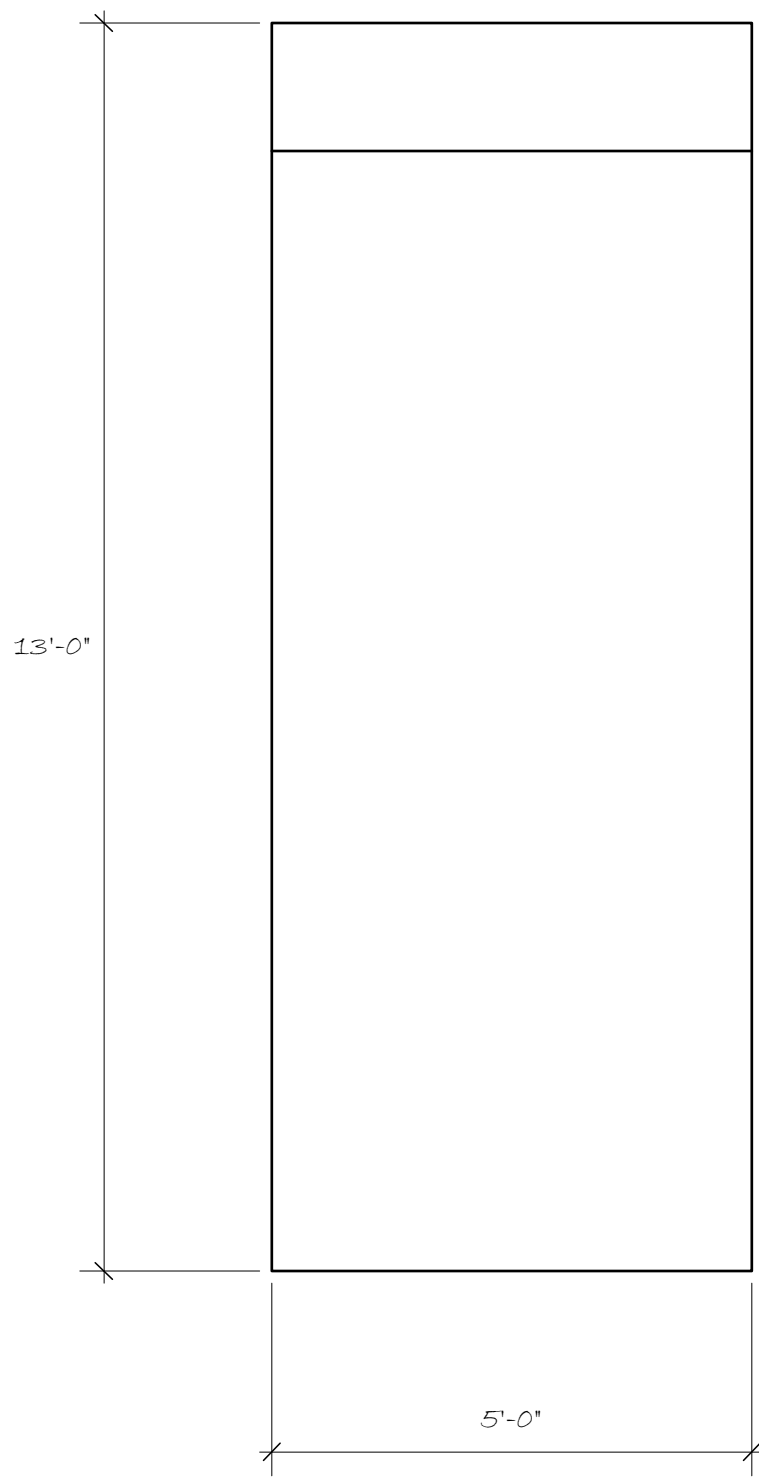
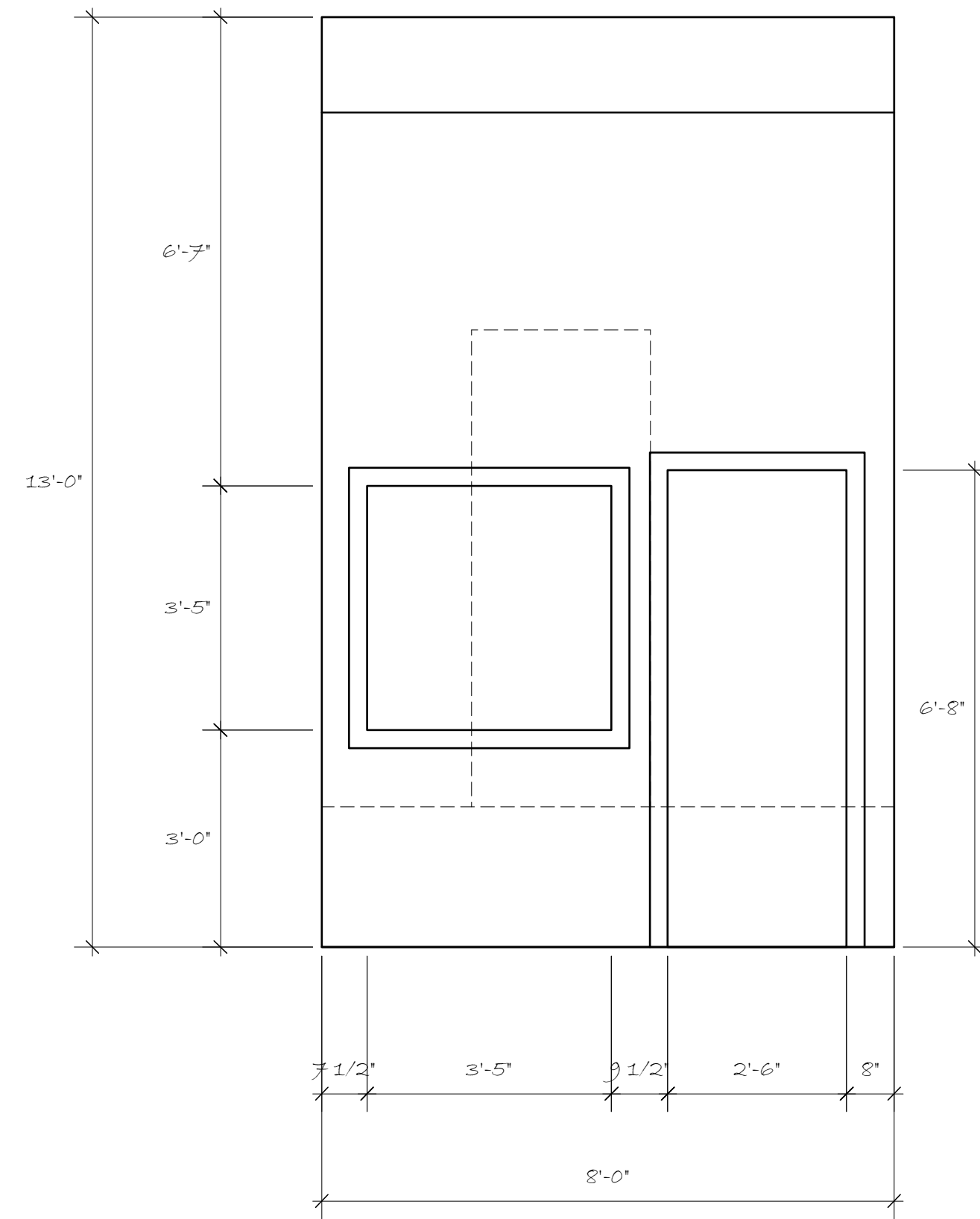


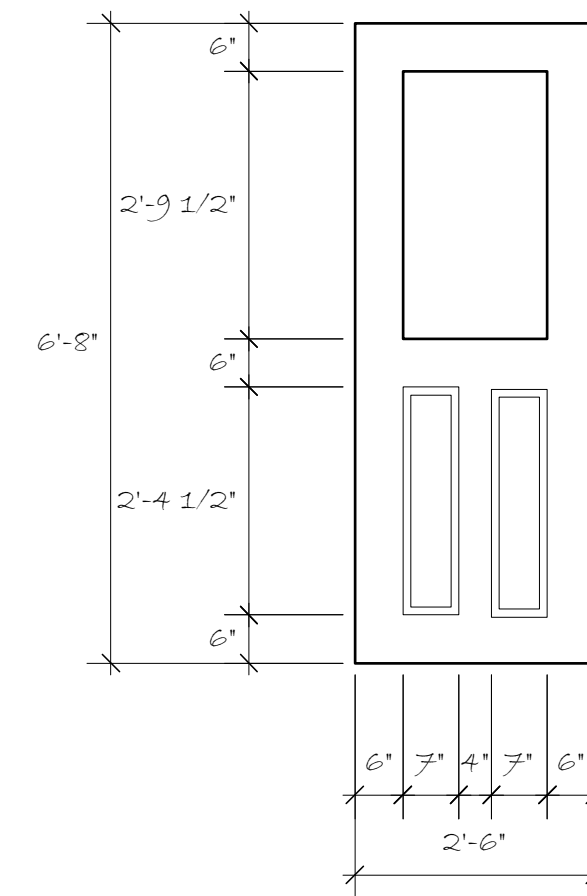
# Vectorworks Educational Version



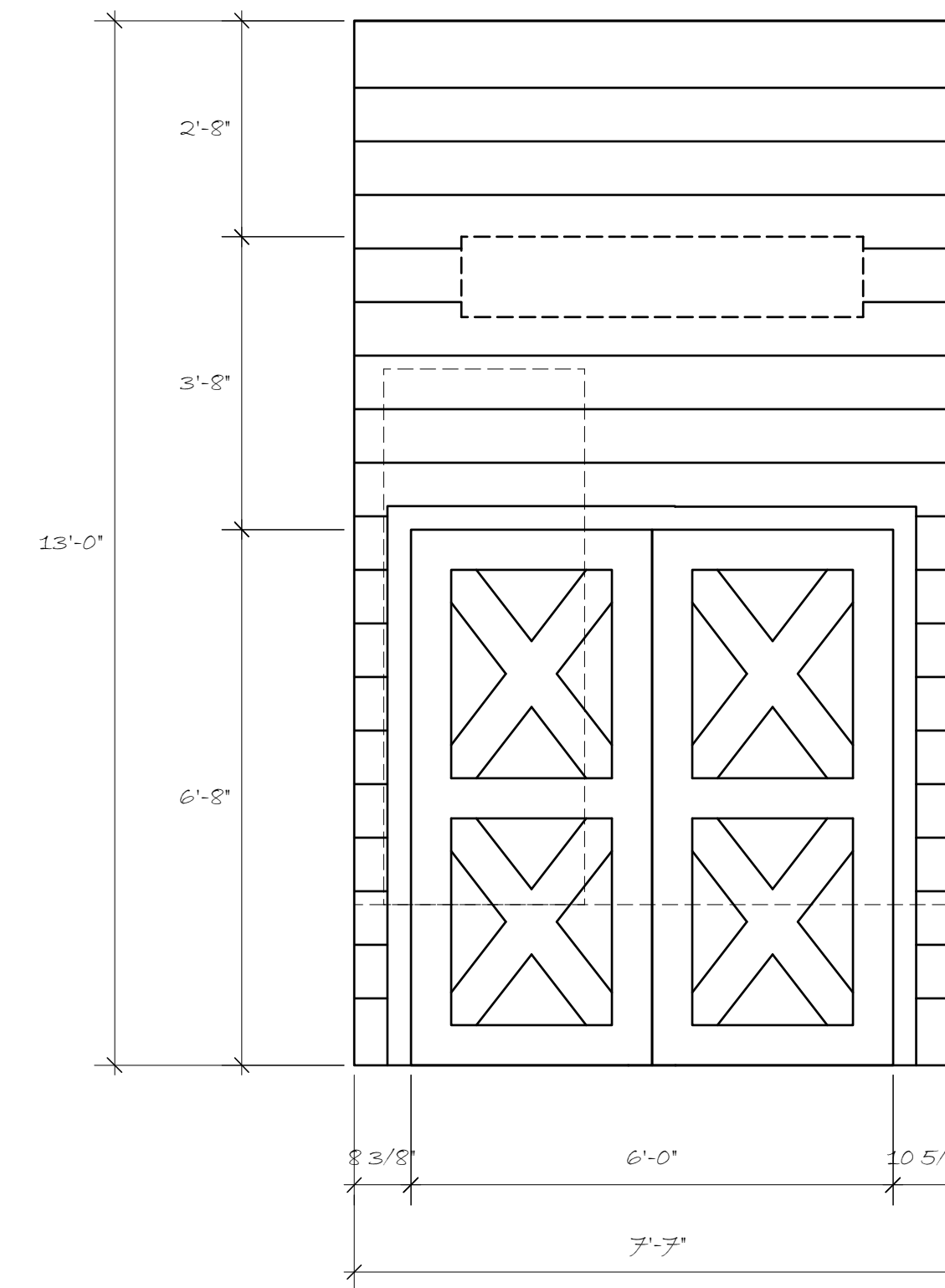
**BILLIARD SIDE WALL**  
 NOTES: BUILD AS A HOLLYWOOD COVER WITH SIDING. SEE STABLE DRAWING FOR PATTERN. DOUBLE SIDED FLAT. SEE THE PARLOR SIDE WALL FOR MORE BUILDING INFORMATION.



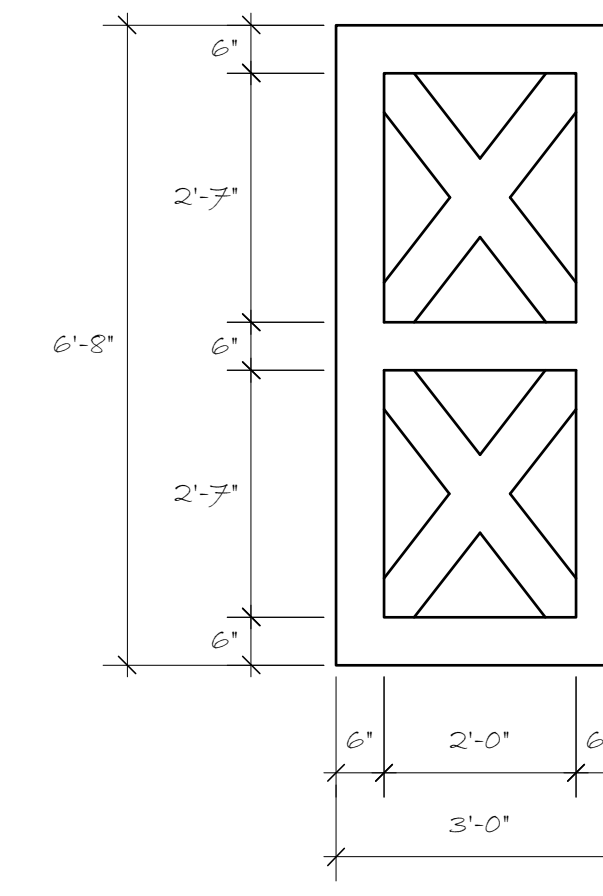
**BILLIARD PARLOR FRONT WALL**  
 NOTES: BUILD AS A HOLLYWOOD COVER WITH SIDING. SEE STABLE FOR LAYOUT. DOUBLE SIDED FLAT. SEE PARLOR BACK WALL FOR ADDITIONAL BUILDING INFORMATION. SEE DESIGNER FOR MOLDING AND QUESTIONS.



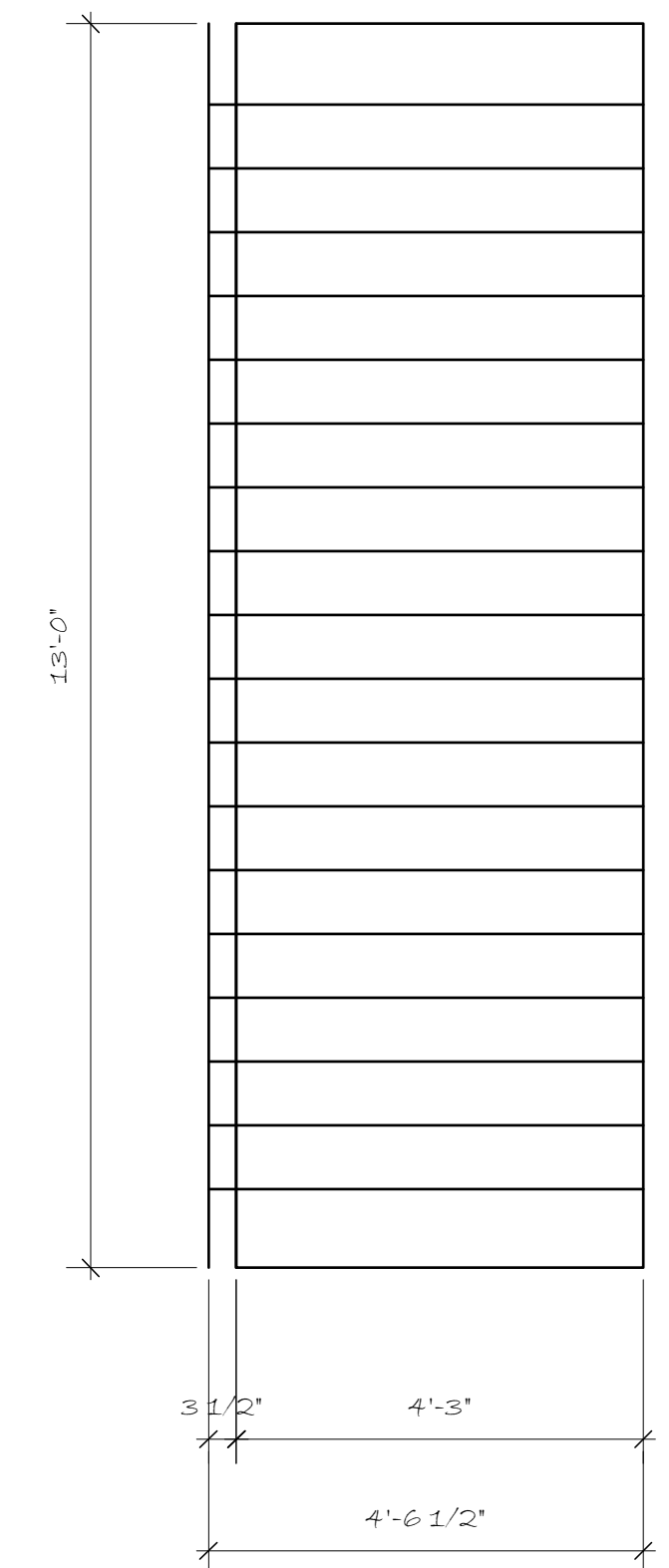
**BILLIARD DOOR**  
 NOTES: PULL AND MODIFY FROM STOCK.



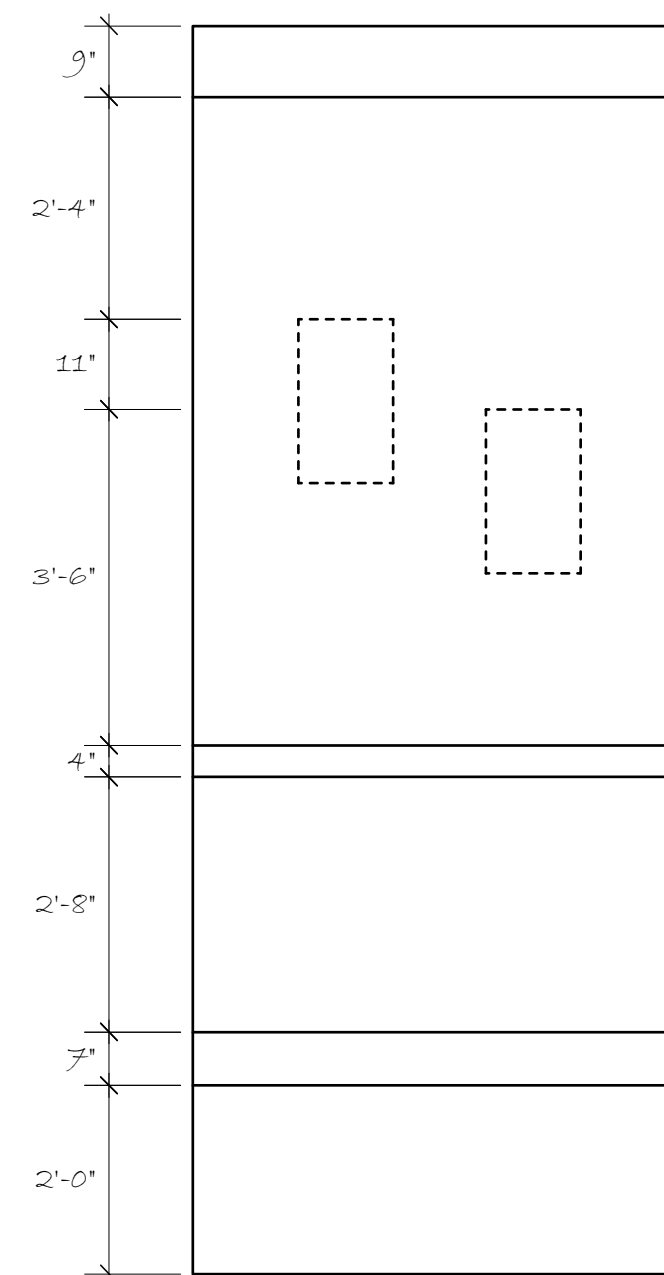
**STABLE FRONT**  
 NOTES: BUILD AS A HOLLYWOOD COVER WITH STRIPS OF LUAN TO LOOK LIKE SIDING. DOORS ARE NOT FUNCTIONAL. DOUBLE SIDED FLAT. SEE KITCHEN BACK WALL FOR ADDITIONAL BUILDING INFORMATION.



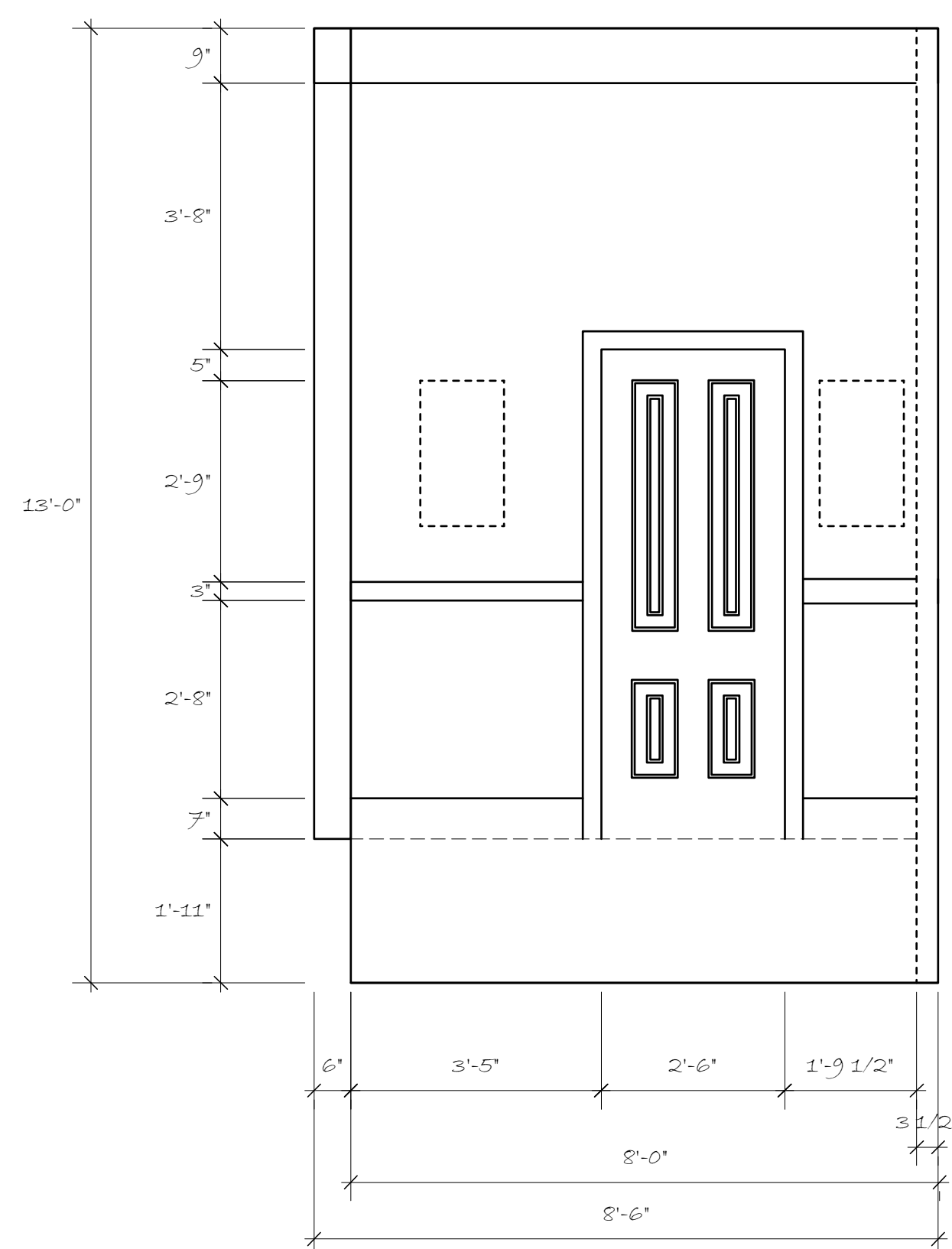
**STABLE DOOR**  
 NOTES: BUILD TWO. CAN BE BUILT OUT OF 1X6. IS PURELY DECORATIONAL.



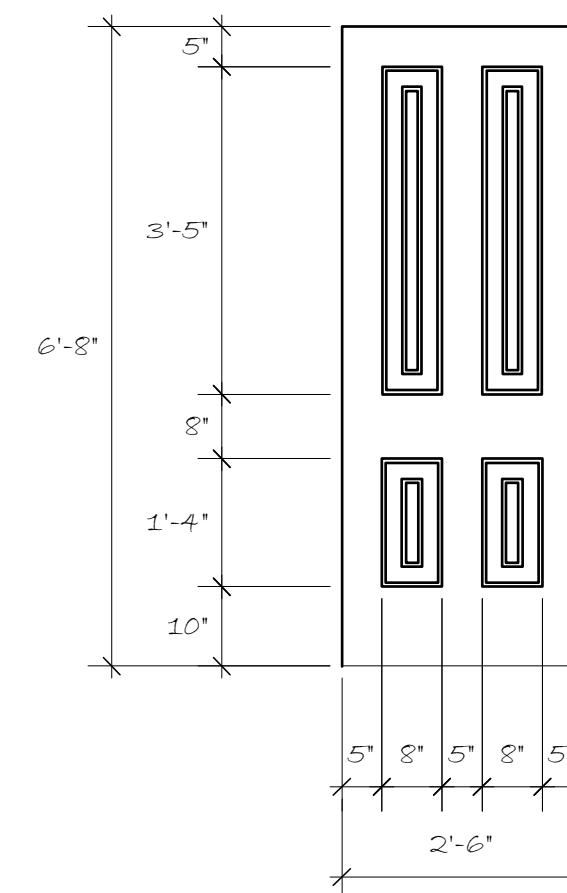
**STABLE SIDE WALL**  
 NOTES: BUILD AS A HOLLYWOOD COVER WITH LUAN STRIPS FOR SIDING. LUAN STRIPS NEED TO OVERHANG THE FLAT TO COVER THE EDGE OF THE STABLE FRONT. DOUBLE SIDED FLAT. SEE KITCHEN SIDE FOR MORE BUILDING DETAILS.



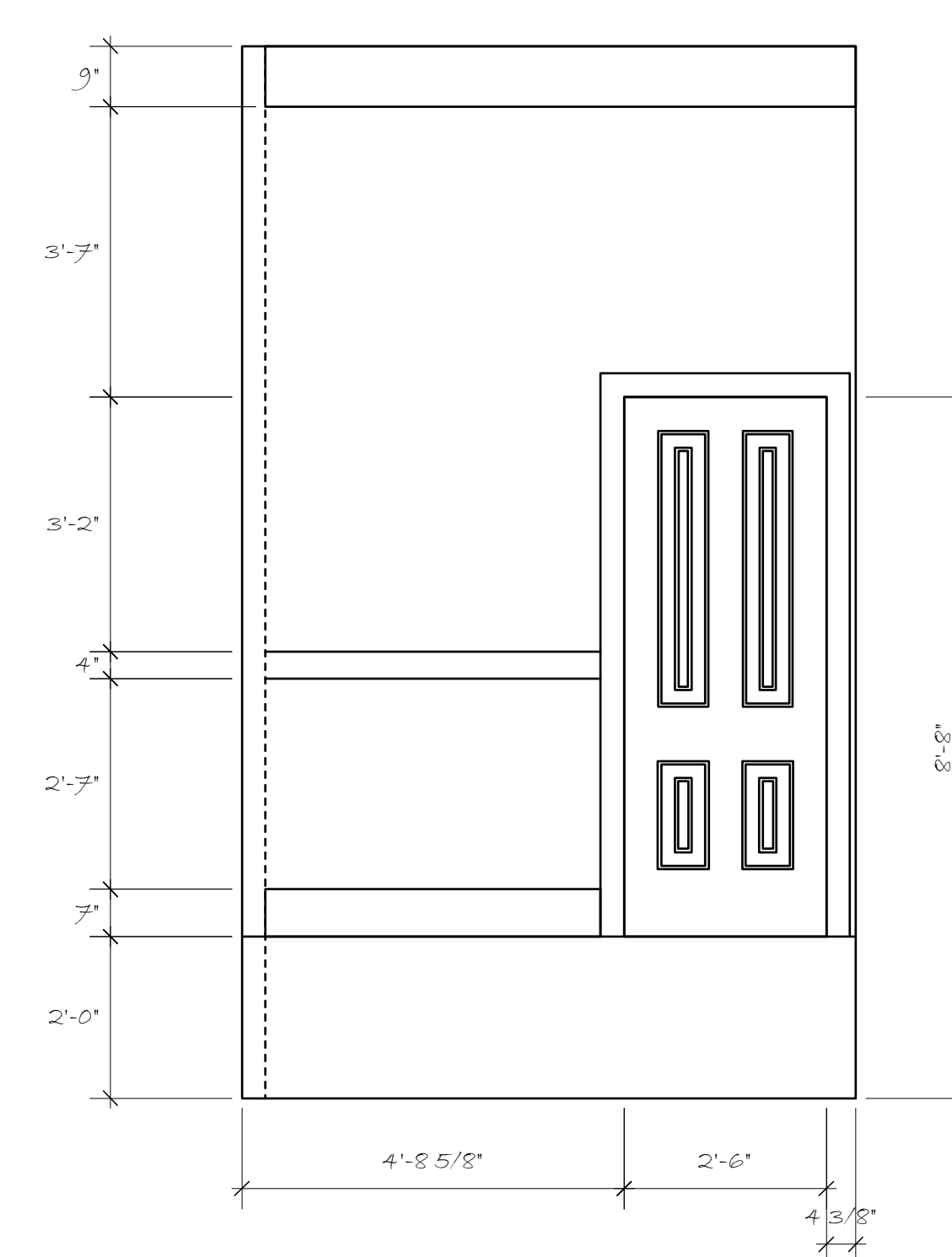
**PARLOR SIDE WALL**  
 NOTES: BUILD AS A HOLLYWOOD DOUBLE SIDED FLAT. SEE BILLIARD SIDE WALL FOR ADDITIONAL BUILDING INFORMATION. SEE DESIGNER FOR MOLDING.



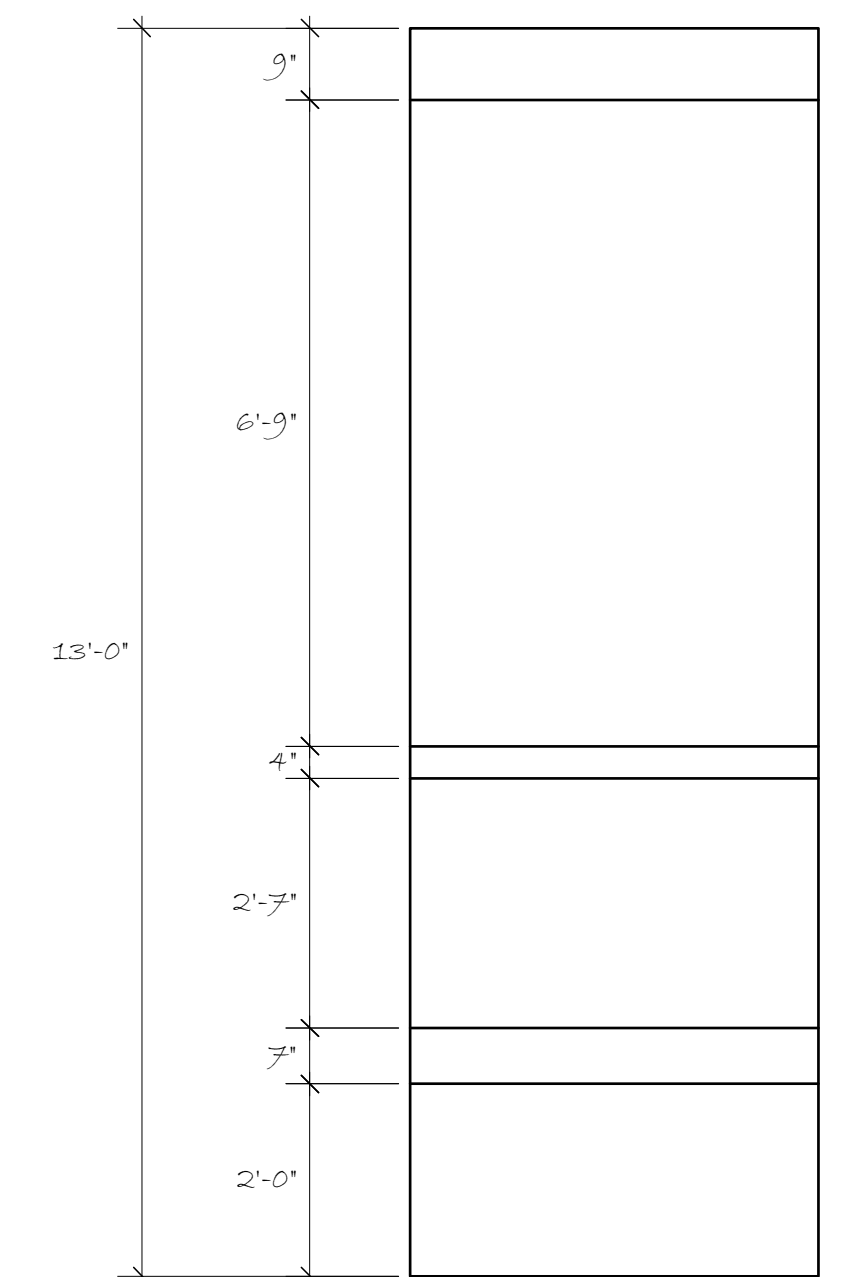
**PARLOR BACK WALL**  
 NOTES: BUILD AS A HOLLYWOOD 6" SIDE FLAP NEEDS TO HINGE INTO PLACE. DOUBLE SIDED FLAT. SEE BILLIARD FRONT FOR ADDITIONAL BUILDING INFORMATION. SEE DESIGNER FOR MOLDING AND DOOR.



**PARLOR INTERIOR DOOR**  
 NOTES: SEE DESIGNER FOR SPECIFIC DOOR.



**KITCHEN BACK WALL**  
 NOTES: BUILD AS A HOLLYWOOD SEE DESIGNER FOR MOLDING AND DOOR. DOUBLE SIDED FLAT. SEE STABLE FRONT FOR ADDITIONAL BUILDING INFORMATION.



**KITCHEN SIDE WALL**  
 NOTES: BUILD AS A HOLLYWOOD DOUBLE SIDED FLAT. SEE STABLE SIDE FOR ADDITIONAL BUILDING INFORMATION.

|                                    |                |
|------------------------------------|----------------|
| WWCC THEATRE                       |                |
| THE MUSIC MAN                      |                |
| ELEVATIONS                         |                |
| SCENE:                             | 15             |
| DIRECTOR: C. WILL                  | OF             |
| SCENIC DESIGNER: A. CRITCHFIELD    | 16             |
| TECHNICAL DIRECTOR: A. CRITCHFIELD |                |
| 01/28/10                           | SCALE: 1"=1/2" |